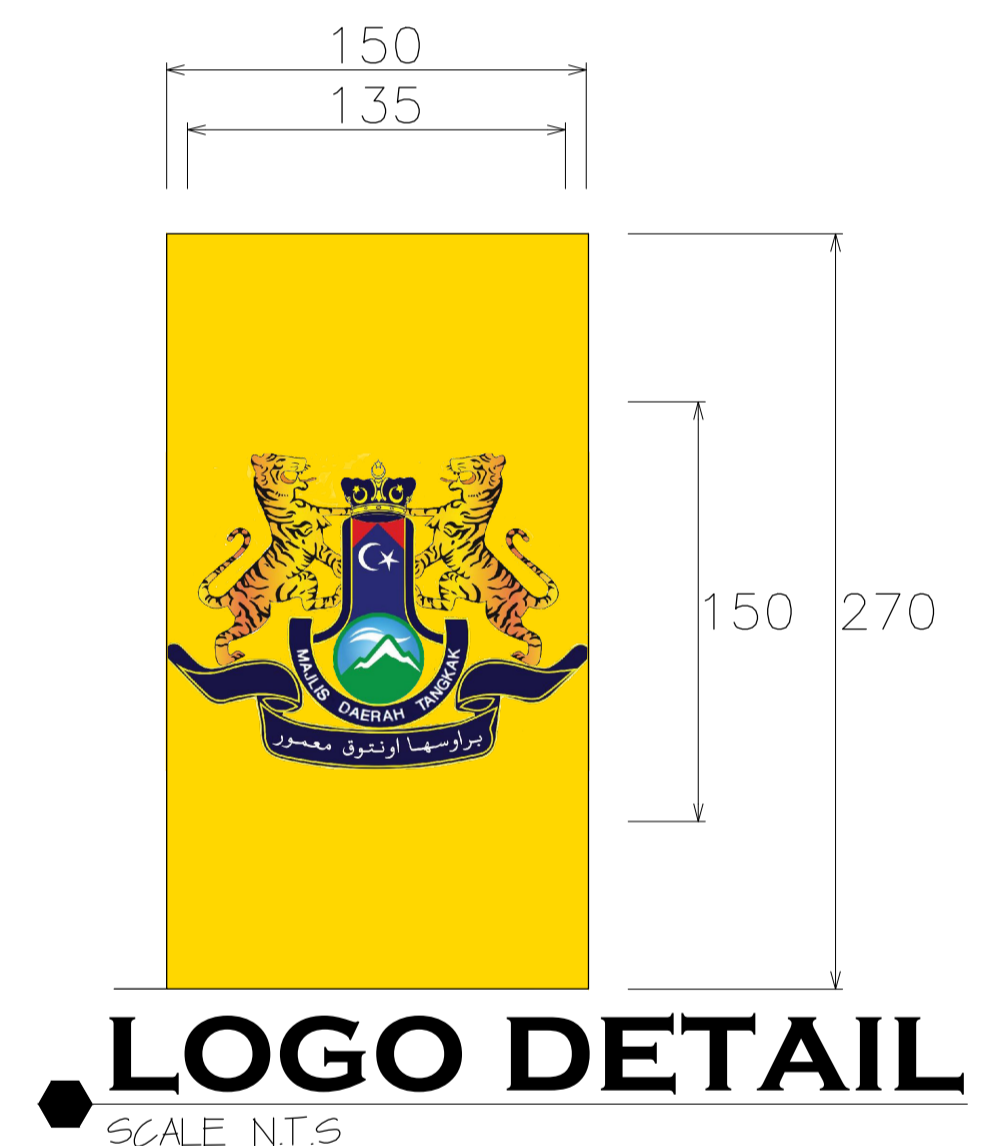
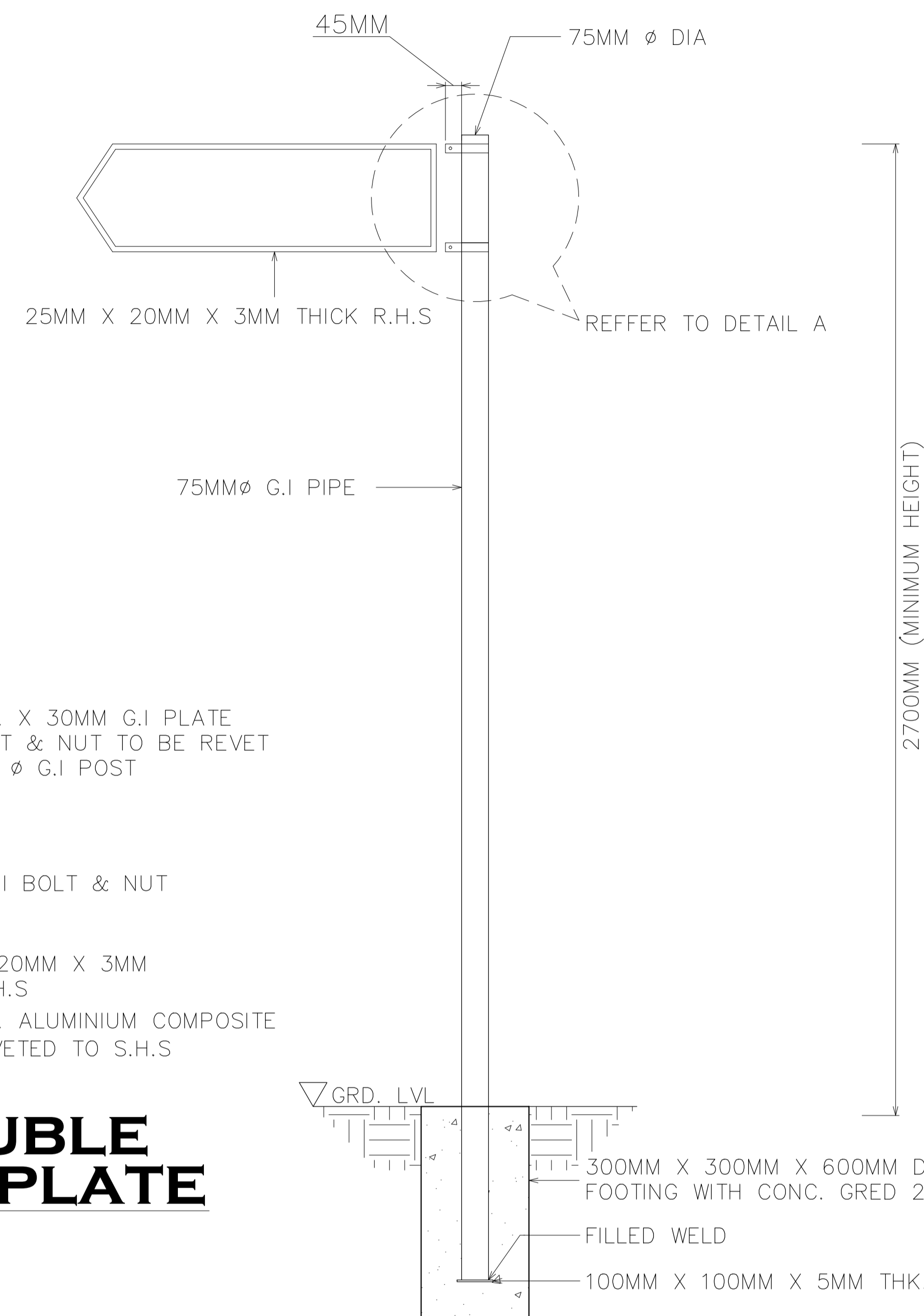
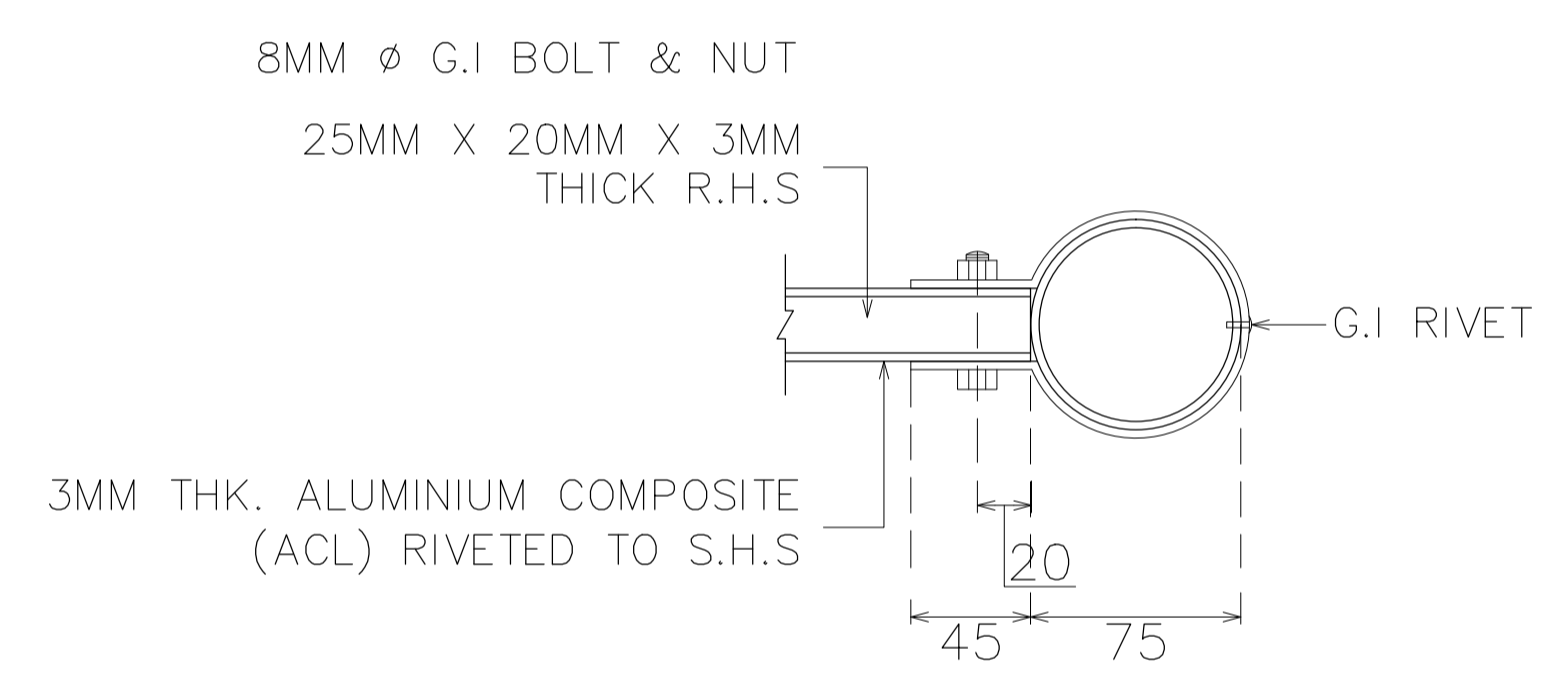




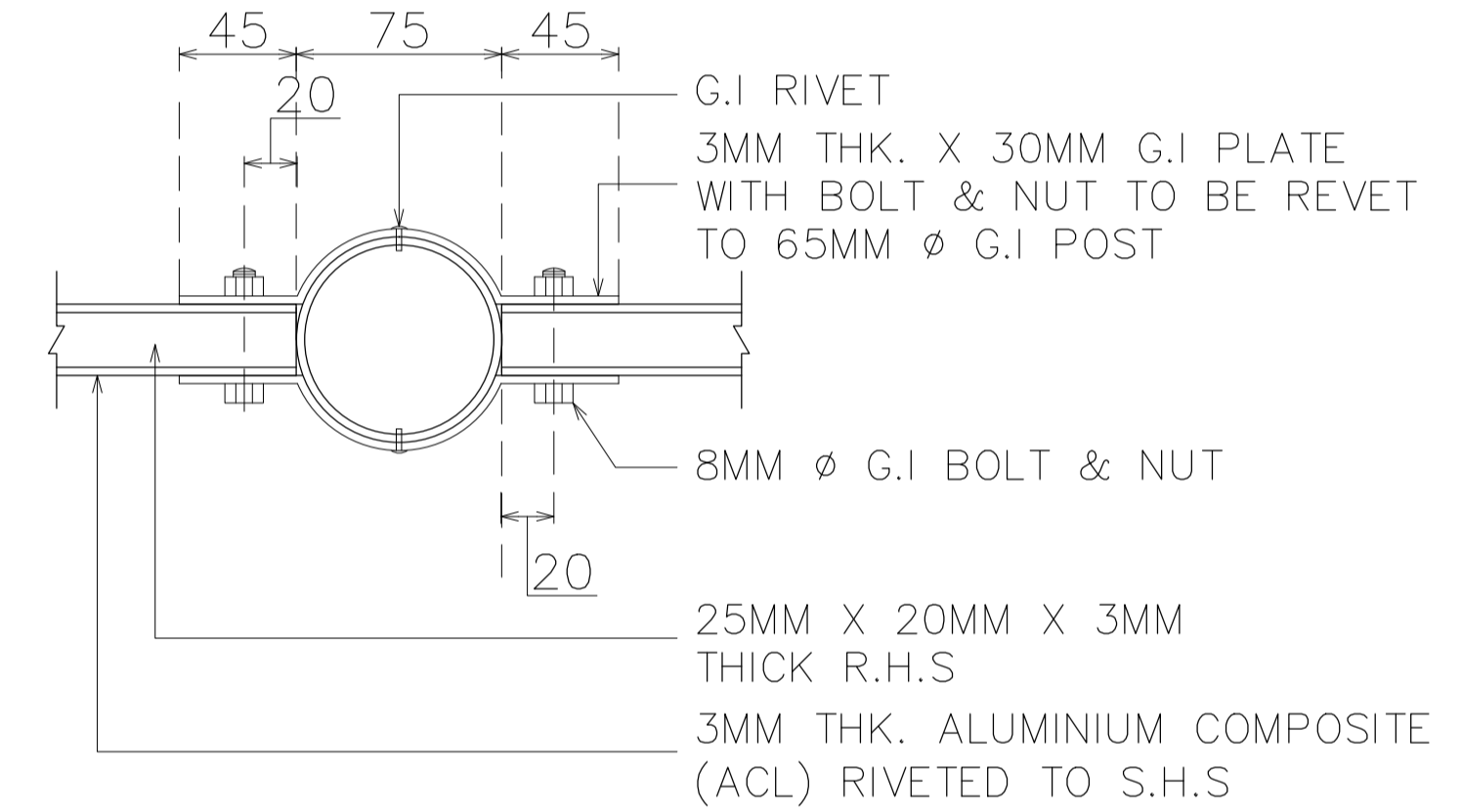
DETAIL OF SIGN LETTERING
SCALE N.T.S



LOGO DETAIL
SCALE N.T.S



PLAN OF SINGLE ROAD NAME PLATE
SCALE N.T.S



PLAN OF DOUBLE ROAD NAME PLATE
SCALE N.T.S

ELEVATION SINGLE ROAD NAME PLATE
SCALE 1:20

- NOTA:
- 1) BAHAN : ALUMINIUM COMPOSITE MATERIAL 3MM TEBAL
 - 2) STIKER : H.I.PRISMATIC 3M (KUNING) LATAR BELAKANG
 - 3) TULISAN/BORDER : ENGINEERING GRADE (E.G) AVERY (HITAM)
 - 4) LOGO : 150MM X 135MM

PROJECT TITLE :
CADANGAN KERJA-KERJA MEMBINA PAPAN TANDA NAMA JALAN.

DRAWING TITLE :
-DETAIL LOGO
-DETAIL OF SIGN LETTERING
-PLN OF SINGLE & DOUBLE ROAD NAME PLATE
-ELEVATION SINGLE ROAD NAME PLATE

CLIENT :
MAJLIS DAERAH TANGKAK

SKALA	1 : 20	TARIKH	JAN 2019
DILUKIS	IZ	DISEMAK	
PROJEK NO :		NO. LUKISAN :	
		1 / 2	